

## BAKA Protect 4010 3D FD

with 3D comfortable eccentric  
adjustment



### Product features

- for rebated timber entrance doors
- concealed receiver in the frame
- for doors with overlap seals
- with comfortable eccentric adjustment
- 3D adjustment (side +/- 3.0 mm, height +/- 3.0 mm, compression +/- 3.0 mm)
- usable for system testing in accordance with DIN EN 1627 ff.
- maintenance-free slide bearings

### Technical data

Property	Value
Load capacity	160.0 kg
Knuckle length	140.0 mm
Knuckle Diameter	20.0 mm
Pin diameter	10.0 mm
Cutter diameter	20.0 mm
Collar ring diameter	30.0 mm

### Notes

### Quality marks



### Classification code

EN 1935 / EAD

2	7	3	1 <sup>1</sup>	1	- <sup>2</sup>	0	10 <sup>3</sup>
---	---	---	----------------	---	----------------	---	-----------------

<sup>1</sup> Test evidence for functional doors to be achieved with full door sets and assemblies.

<sup>2</sup> depending on the finish

<sup>3</sup> test cycles in continuous operation with 160 kg

**BAKA - BAKA Protect 4010 3D FD**

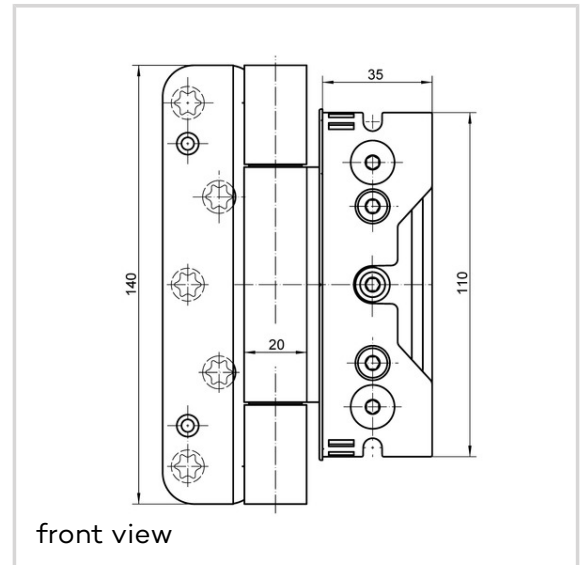
The load capacity mentioned above refers to the use of 2 hinges per door leaf (1 x 2 m), for detailed information please look at the chapter [technical information](#).

Set consists of 3 hinges (1 hinge = height and side adjustment, 2 hinges = compression and side adjustment).

If necessary, a 4th hinge has to be ordered separately.

Also available with security pin (MSTS).

The suitability for fire doors depends on the door construction.

**Installation tools**

Drilling jig BAKA Protect 4000 frame

Retrofit kit BAKA Protect 4000 frame

Ball catch location routing jig BAKA Protect 4000 door

Ball catch location routing jig BAKA Protect 4000 frame

Routing jig BAKA Protect 4000 door

Drilling / routing jig BAKA Protect 4000 frame

Template BAKA Protect 4000 FD door 20/30

Template BAKA Protect 4000 FD door 20/27

Template BAKA Protect 4000 FD door 16/27

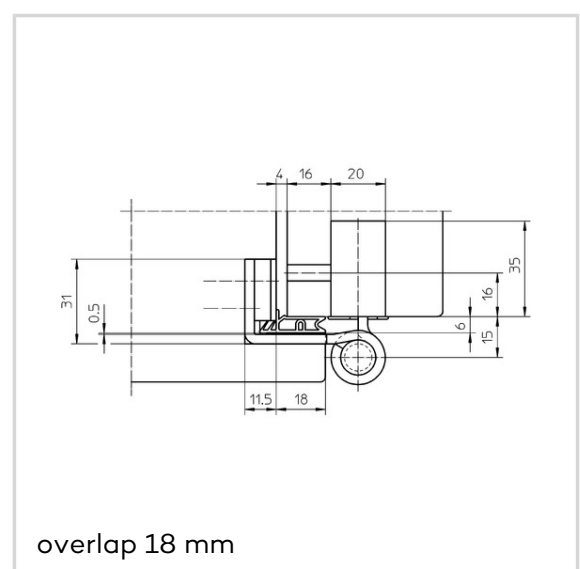
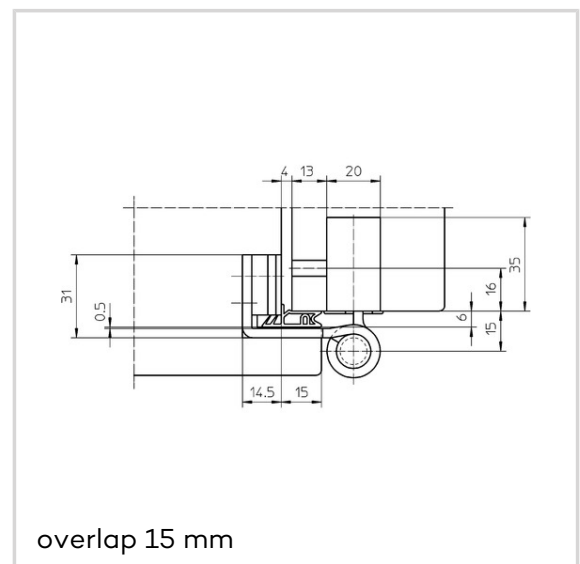
Template BAKA Protect frame 20/30

Template BAKA Protect frame 16/27

**Combinations**

Decorative sleeve no. 12

Cover cap BAKA Protect 4000



## BAKA - BAKA Protect 4010 3D FD

## Function range

Burglar  
resistance

Fire resistance



Soundproof

## Item versions

Finish	polished gilded (SW 032)
VPE	1 set (3 pieces)
DIN	DIN right and left hand
ITEM NO.	5 080822 0 03285
ITEM NO. (SAP)	500001457
EAN	4015471114374
Finish	Satin Stainless Steel (SW 040)
VPE	1 set (3 pieces)
DIN	DIN right and left hand
ITEM NO.	5 080822 0 04085
ITEM NO. (SAP)	500001458
EAN	4015471104184
Finish	RAL 9016 Traffic White (SW 070)
VPE	1 set (3 pieces)
DIN	DIN right and left hand
ITEM NO.	5 080822 0 07085
ITEM NO. (SAP)	500001461
EAN	4015471104160
Finish	H9 Brown (SW 071)
VPE	1 set (3 pieces)
DIN	DIN right and left hand
ITEM NO.	5 080822 0 07185
ITEM NO. (SAP)	500001463
EAN	4015471104177
Finish	RAL 9005 Matte Black (SW 107)

**BAKA - BAKA Protect 4010 3D FD**

VPE	1 set (3 pieces)
DIN	DIN right and left hand
ITEM NO.	5 080822 0 10785
ITEM NO. (SAP)	500001468
EAN	4015471120498
Finish	Topzinc (SW 110)
VPE	1 set (3 pieces)
DIN	DIN right and left hand
ITEM NO.	5 080822 0 11085
ITEM NO. (SAP)	500001469
EAN	4015471104153
Finish	Satin Nickel Look (F2) (SW 125)
VPE	1 set (3 pieces)
DIN	DIN right and left hand
ITEM NO.	5 080822 0 12585
ITEM NO. (SAP)	500001473
EAN	4015471118174