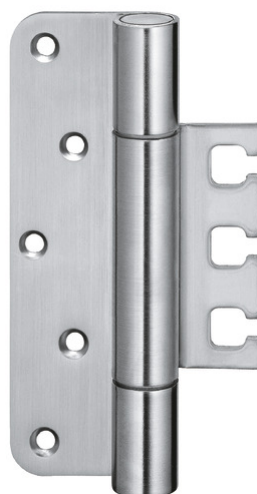


VARIANT VX - VX 7729/160-4

VX 7729/160-4

for unrebated high performance heavy-duty doors

**Product features**

- for unrebated heavy-duty doors
- for timber, steel or aluminium frames
- for 3D adjustable VARIANT VX receivers
- internal torsion-proof pin
- concealed, maintenance-free axial-radial slide bearings

Technical data

Property	Value
Load capacity	300.0 kg
Knuckle length	160.0 mm
Knuckle Diameter	22.5 mm
Pin diameter	10.0 mm
Cutter diameter	24.0 mm
Collar ring diameter	30.0 mm
Material thickness	4.0 mm
Screws	6.0 x 50.0 mm

Notes**Quality marks**

CE certification



IFT certification



UKCA certification

Classification code

EN 1935 / EAD

4	7	7	1 ¹	1	— ²	1	14 ³
---	---	---	----------------	---	----------------	---	-----------------

¹ Test evidence for functional doors to be achieved with full door sets and assemblies.

² depending on the finish

³ test cycles in continuous operation with 300 kg

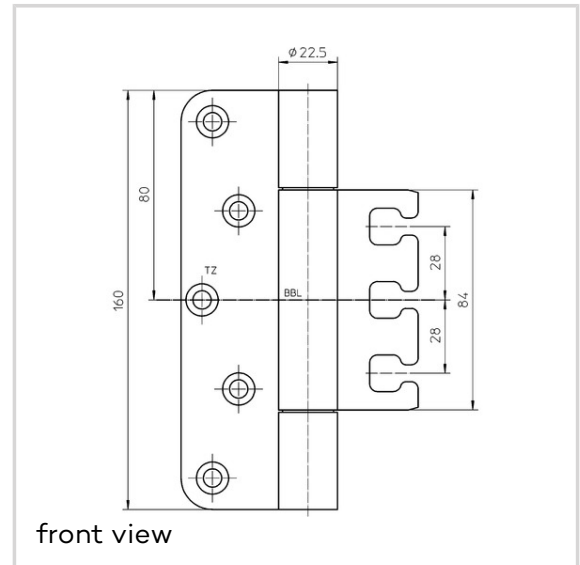
VARIANT VX - VX 7729/160-4

The load capacity mentioned above refers to two hinges per door leaf (1 x 2 m). Also the load capacities of the respective combined receiver have to be taken into consideration. For detailed information please look at the chapter [technical information](#).

Also available with security pin (MSTS).

Also available in stainless steel with material quality 316 series for an increased corrosion resistance.

The suitability for fire doors depends on the door construction.



front view

Installation tools

Universal milling frame

Template 5 250353 5

Combinations

VX 7531 3D

VX 7532 3D

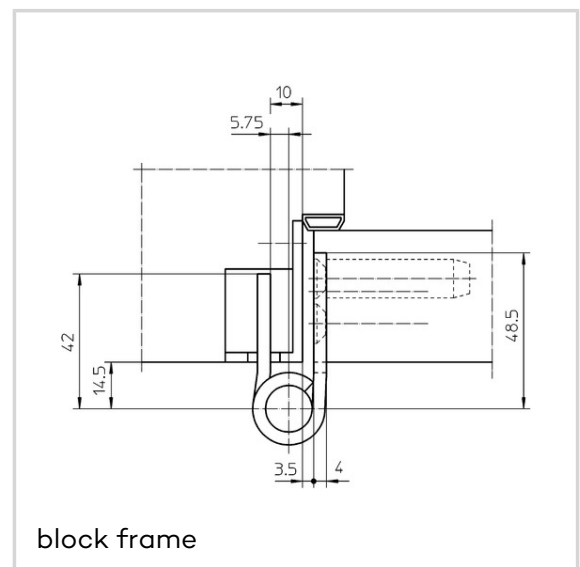
VX 7535 3D

VX 2511 3D

VX 7511 3D

VX 7512 3D

VX 7521 3D



block frame

Function range

Fire resistance



Smoke
resistance

Item versions

Finish	satin nickelled F2 (SW 018)
VPE	Pack of 2
DIN	DIN right and left hand
ITEM NO.	5 051500 0 01802

VARIANT VX - VX 7729/160-4

ITEM NO. (SAP)	500000735
EAN	4015471069292
Finish	Satin Stainless Steel (SW 040)
VPE	Pack of 2
DIN	DIN right and left hand
ITEM NO.	5 051500 0 04002
ITEM NO. (SAP)	500000736
EAN	4015471069339
Finish	Stainless Steel/316 series (SW 043)
VPE	Pack of 2
DIN	DIN right and left hand
ITEM NO.	5 051500 0 04302
ITEM NO. (SAP)	500000737
EAN	4015471135553